



URBAN & SOLAR

WALLSTREET LIGHT SERIES

The Wallstreet Light Series is constructed from high-strength aluminum with an IP66 rating and offers up to **80% energy savings** compared to traditional technologies. It is compatible with **Jungo Connect®** smart control systems and photocells, making it ideal for traditional lighting in parks, plazas, public areas, gardens, parking lots, and other applications. Its versatile mounting options allow for easy adaptation to projects with contemporary or traditional architectural styles.

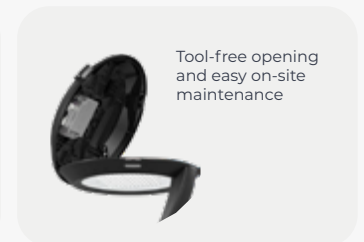
CERTIFICATIONS



NOM-003-SCFI-2014
NOM-031-ENER-2012

Technical Data	
Input voltage	100 - 277V V ~ (Multivoltage)
Input frequency	50 / 60 Hz
Dimmable	0 - 10 V
Color temperature	Selectable CCT 3000K 4000K 5000K
CRI	> 85
Operating temperature	-30 to 50° C
Harmonic distortion	<10 %
Power factor	0.99
Beam angle	Type II Media, Type III Media, Type V Short
Mounting	Round-Square Post, Fitter Mounting, Gooseneck, Single Bracket, Twin Bracket
Clasification	IP66 - IK08
Anti-surge rating	4 kV
Light maintenance @100,000 hrs	0.86 *Projected L70 (I2K) ≥72,000 hrs per IES TM-21
Body	Die-cast aluminum alloy
Optics	Polycarbonate
Color	Bronze

Model	Selectable Power	Selectable CCT	Luminous Efficiency	Luminous Flux
SO	18W 30W 45W 60W	3,000K 4,000K 5,000K	130 lm/W	3,900 lumens



Control Systems

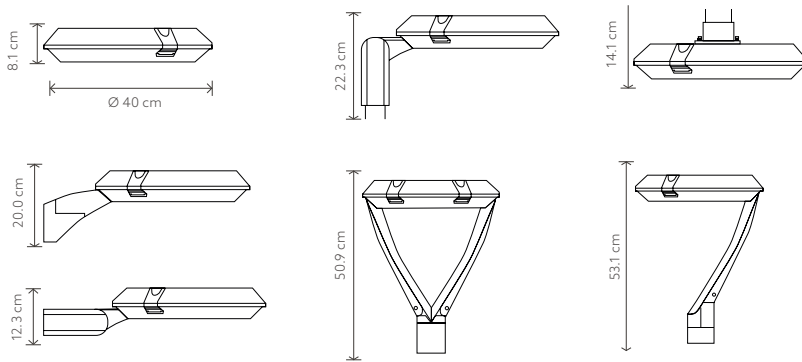




DIMENSIONS

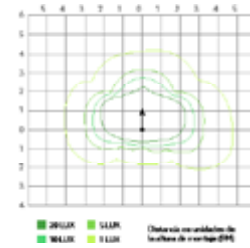
SO / MOUNTINGS

8.5 kg

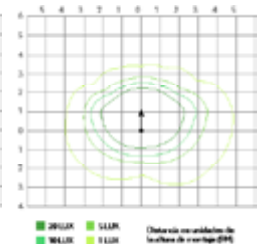


PHOTOMETRIC DISTRIBUTION

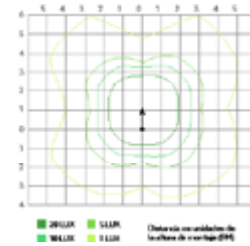
Type II Media



Type III Media



Type V Short



GUÍA PARA ORDENAR

1 Series

WS

2 Model

SO 18 W | 30W | 45W | 60W

3 Beam angle

1 Tipo II Media
2 Tipo III Media
3 Tipo V Corta

4 Mounting

1 Round-Square Post
2 Slip Fitter Mounting
3 Gooseneck
4 Single Bracket
5 Twin Bracket

5 Control

N Ninguno
P Fococelda
I Jungo Connect®
J Smart Cities®

Code example:

1 Series | 3 Beam angle | 5 Control
WS | **SO** | **2** | **3** | **I**
2 Model | 4 Mounting