



WALL PACK LIGHT

Wall Pack V2 SERIES

Direct the light where you need it, as the **rotatable modules** of this fixture allow precise light aiming for applications such as underpasses or perimeter lighting for buildings. Built from lightweight and durable aluminum, it emits **up to 10,800 lumens** in the 80W version. It features a graphene heat sink that operates more efficiently, keeping the fixture at a stable temperature.

CERTIFICATIONS



Technical Data	
Input voltage	100 - 277 V~ or 200 - 480 V~
Input frequency	50 / 60 Hz
Dimmable	0 - 10 V
Color temperature	4000K or 5000K
CRI	> 70
Operating temperature	-30 to 50 °C
Harmonic distortion	<30%
Power factor	0.80
Beam angle	70° x 135°
Mounting	Surface-mounted: Bracket (included)
Classification	IP65
Impact resistance	IK10
Anti-surge rating	10 kV
Light maintenance @100,000 hrs	0.86 <small>*Projected L70 (L2K) ≥ 72,000 hours per IES TM-21</small>
Body	Die-cast A383 aluminum alloy
Optics	Polycarbonate
Color	Black

Model	Power	Luminous Efficiency	Luminous Flux
SO	40 W	135 lm/W	5,400 lumens
MO	60 W	135 lm/W	8,100 lumens
HO	80 W	135 lm/W	10,800 lumens

Graphene heat sink cools the diodes, extending the fixture's lifespan

Adjustable individual optical modules for better light aiming

Compatible with motion and daylight sensors, saving up to 60% in energy consumption

100,000-hour lumen maintenance

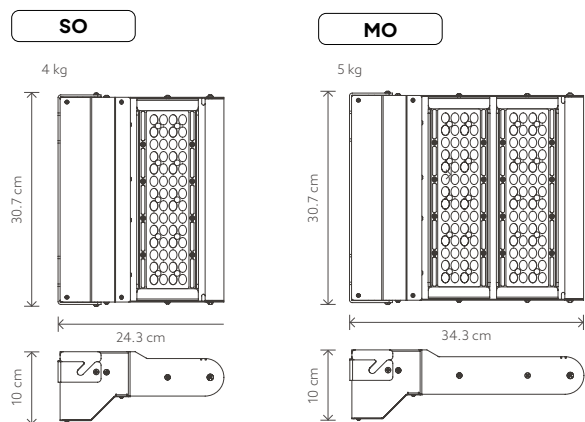
Durable polycarbonate optics provide clear and bright illumination

Control Systems

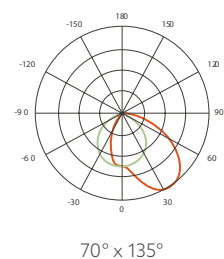




Dimensions



Photometric Distribution



Ordering Guide

1 Series

WP2

2 Model

SO 40 W

MO 60 W

HO 80 W

3 Color temperature

40 4000K

50 5000K

4 Control

N None

S Motion and light sensor

P Photocell

Code example:

1 Series
|
WP2

3 Color temperature
|
MO 40 P

2 Model
|
MO

4 Control
|
P