



SMART CONTROLLER

3-IN-1 SENSOR

Microwave sensor designed for precise motion detection and automatic lighting control. Compatible with the **Jungo Connect®** app, it offers a detection range of up to 3 meters and allows installation at heights of up to 6 meters.

Main Functions

Motion detection: Detects activity within its range and activates the lighting accordingly.

Adjustable sensitivity: Can be set to detect slight movements or reduce false triggers.

Daylight harvesting: Modulates lighting based on ambient light levels to maximize energy efficiency.

Daylight threshold: Defines the ambient light level at which the sensor regulates artificial lighting.

Hold time: Controls how long the light stays on after the last detected movement.

Remote control via app: Allows manual on/off, name editing, image changes, and sensor removal through the app.

Programming

Sensitivity: Adjusts motion detection; higher sensitivity captures subtle movements, while lower sensitivity reduces false activations.

Daylight threshold: Allows the sensor to adjust lighting based on ambient light to optimize natural light usage and save energy.

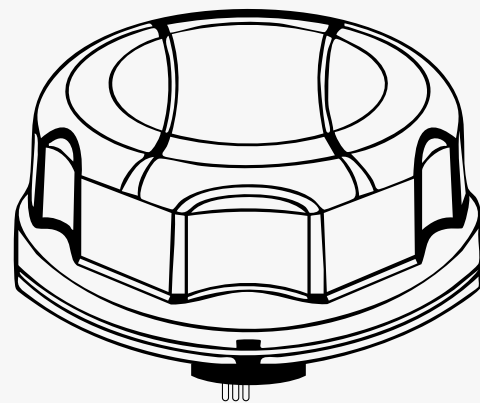
Hold time: Defines how long the light remains on after detecting motion before turning off or dimming.

Standby period: Time during which the light stays dimmed or off after the hold time, helping to save energy.

Os Setting: The light turns off completely after the hold time, without maintaining reduced illumination.

Technical Data

Frequency	5.8GHz ±75MHz
Signal strength	<0.3mW
Detection distance	≥3m/9ft
Installation height	6m / 19ft Max
Detection angle	30-150°
Warranty	5 years
Dimensions	Ø5.4 mm - 38.9x32.4x3.5 mm



SMART CONTROLLER

3-IN-1 SENSOR



Adding a Sensor to the Jungo Connect App

1- Open the Option to Add Devices:

Tap the "+" icon located in the top-right corner of the screen or the "Add Device" button.

2- Select the Sensor to Pair:

The app will automatically display all sensors available within the Bluetooth communication range (20m to 25m) of your mobile device.

3- Add the Sensor:

Tap the "Add" button next to the sensor you want to pair. The app will automatically add the selected sensor.

4- Confirmation of Added Sensors:

The screen will show the number of devices successfully paired.

5- Finish the Process:

Press "Done" to complete the pairing process.

6- Verify the Added Sensors:

All sensors you have added will appear listed on the app's home screen under the devices section.

By following these steps, we hope adding sensors to your Jungo Connect app is intuitive and simple. Enjoy greater automation and control of your environment with Jungo Connect!

Note:

If some sensors are not discovered on this page, it is likely because the devices were connected by another user and were not properly disconnected. Please follow the instructions to reset the devices.

∞: Means that once the "Hold Time" has expired, the luminaire will not turn off completely. Instead, it will remain at the dimming level specified in the "Standby Dimming Level" indefinitely or permanently until new motion is detected.

Standby Dimming Level

The standby dimming level refers to the light intensity maintained during the standby period. This level can be adjusted to provide minimal illumination that ensures safety without consuming the same amount of energy used during normal luminaire operation. It is a balance between providing enough light for the space to be safe and functional, and saving energy.

Sensor Configuration

- 1.- Tap the edit button in the top right corner to rename it, change its image, view device information, delete it, etc.
- 2.- Tap the ON/OFF icon in the center to turn the light on or off.
- 3.- Slide the white dot on the central circle to adjust the brightness output; the percentage of brightness is shown on the right.
- 4.- Tap the "DH" button to activate the "Daylight Harvesting" function after configuring the parameters.
- 5.- Tap the "Sensor" button to enter the main control menu for programming.
- 6.- Tap the "Scene" button to create and save a scene program or quickly

Daylight Harvesting

When the ambient brightness is below the preset lux level, the sensor will automatically turn on the light and continue dimming it according to changes in ambient brightness; when it gets darker outside, the interior will be brighter, and as it gets brighter outside, the interior will dim.

The luminaire will turn off when the ambient brightness exceeds the preset lux level.

