



URBAN LIGHT CONTROLLER

NEMA CONTROLLER

Wireless communication module with a standard NEMA interface, designed for quick and easy installation.

Equipped with advanced functions for measuring current, voltage, power, and power factor, it also allows remote reading of electrical consumption, cumulative energy recording, and remote reset.

Compatible with the **Jungo Connect®** app and SaaS system for complete cloud-based control.

Main Functions

Standard NEMA Interface:

Designed to enable quick, safe, and hassle-free installation.

Remote On/Off Control:

Allows remote management of luminaires, optimizing operation and maintenance.

15A Internal Relay:

Features a high-capacity relay capable of supporting up to 15 amps of load..

0-10V PWM Dimming:

Includes an output interface for light intensity adjustment; DALI compatibility available upon customization.

Advanced Electrical Measurement:

Monitors current, voltage, power, and power factor with remote reading capability.

Energy Consumption Management:

Records cumulative energy data and allows remote reset for more efficient control.

Fault Detection:

Identifies luminaire malfunctions to ensure safe operation.

GPS Positioning:

Integrates precise geolocation functionality for asset management.

Surge Protection:

Built-in protection against electrical surges, enhancing system safety and lifespan.

Jungo Connect Compatibility:

Supports integration with the SaaS system and Tuya Smart app for intelligent cloud-based control.

IP65 Protection:

Water-, dust-, and weather-resistant, ideal for outdoor applications.

Technical Data

Voltage range	96V-264VAC
Frequency range	<0.3mW
Current range	≥3m/9ft
Power consumption	6m / 19ft Max
Communication method	LTE or Zigbee
Operating temperature	-40~+85°C
Protection	IP65
Weight	0.32KG
Dimensions	Diameter 84mm, Height 98mm

Communication methods

Models available with Zigbee or 4G LTE communication



LTE-Cat1 Wireless Communication:

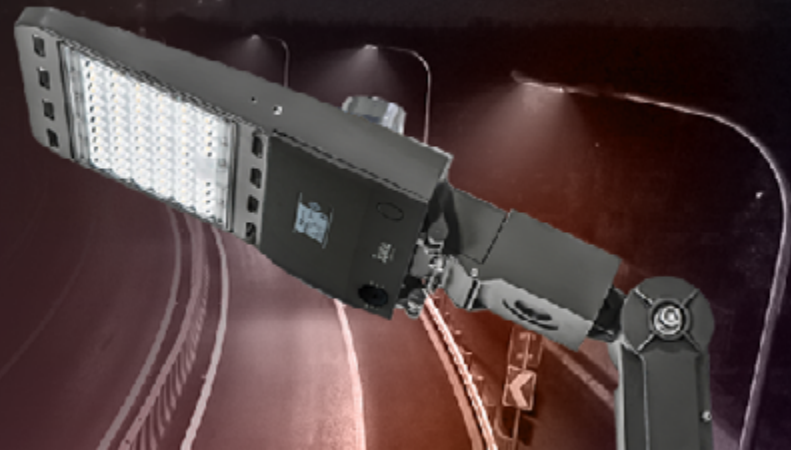
Ensures stable and reliable data transmission for remote control of luminaires in various environments through a cellular network.

Zigbee IEEE 802.15.4 Communication:

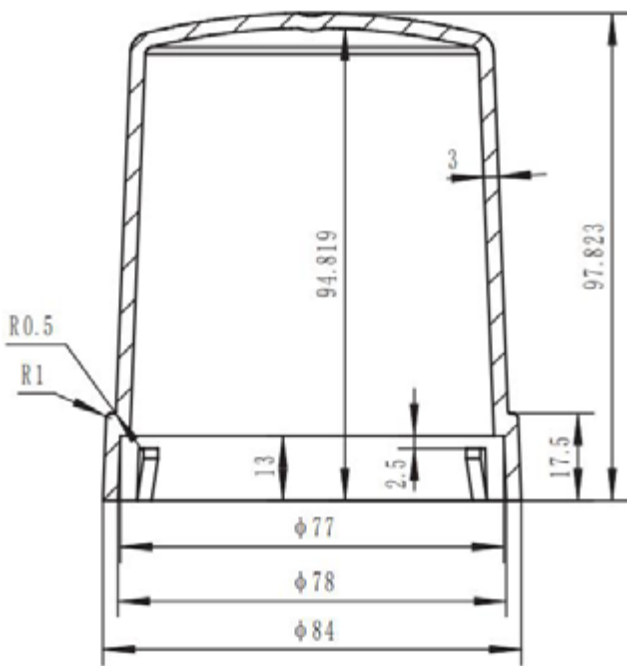
Reliable, low-power wireless communication protocol ideal for control and automation networks. Enables interconnection of multiple smart devices with high stability and energy efficiency.

URBAN LIGHT CONTROLLER

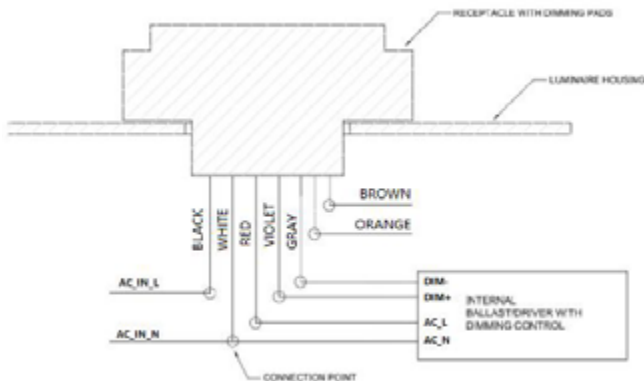
NEMA CONTROLLER



Dimensions



Wiring Diagram



Usage Notes

IMPORTANT:

Before use, carefully read this specification to avoid installation errors that could affect the normal operation of the device.

Transport and Storage Conditions

Storage temperature range: -40°C ~ +85°C

Storage environment: avoid humid areas or contact with water

Handling: dropping the device from a height is strictly prohibited

Stacking: excessive stacking is strictly prohibited

Usage Precautions

Hire professional personnel for on-site installation

Do not install the device in environments with prolonged high temperatures, as this may affect its lifespan

Ensure terminals are properly insulated during installation

During installation, verify interface specifications and avoid incorrect connections

When installing, rotate the interface to ensure full contact between NEMA connections

Warranty

