



LOADING DOCK LIGHT

LOADING DOCK SERIES

Keep your team safe while working on **loading and unloading docks** by installing the specialized Loading Dock Light fixture.

Designed to illuminate environments with **heavy-duty operations**, it features watertight connections, an extendable arm, and a protective 14-gauge steel housing that resists impacts.

CERTIFICATIONS



Technical Data	
Input voltage	100 - 277 V - (Multivoltage)
Input frequency	50 / 60 Hz
Dimmable	0 - 10 V
Color temperature	5000K
CRI	>75
Operating temperature	-30 to 50 °C
Harmonic distortion	<10%
Power factor	0.95
Beam angle	120°
Mounting	Surface-mounted: wall base (included)
Classification	IP65
Impact resistance	IK08
Anti-surge rating	2 kV
Light maintenance @100,000 hrs	0.86 <small>*Projected L70 (I2K) = 72,000 hours per IES TM-21</small>
Body	Die-cast A383 aluminum alloy
Optics	Polycarbonate
Color	Yellow

Model	Power	Luminous Efficiency	Luminous Flux
30W	30 W	120 lm/W	3,600 lumens
50W	50 W	120 lm/W	6,000 lumens

Impact resistance IK08

On/off button, manual switch for easy and quick fixture operation

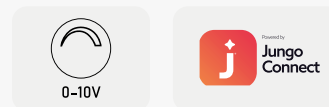
Available in two power levels: 30W and 50W

Robust 14-gauge steel construction

Waterproof connectors IP65

Extendable arm 101 cm long

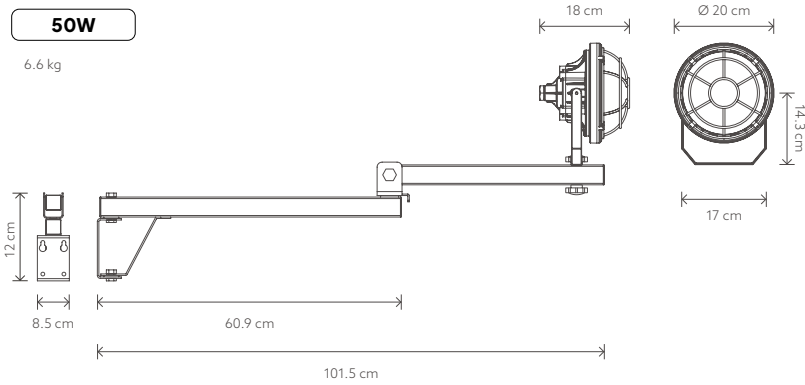
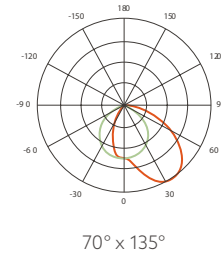
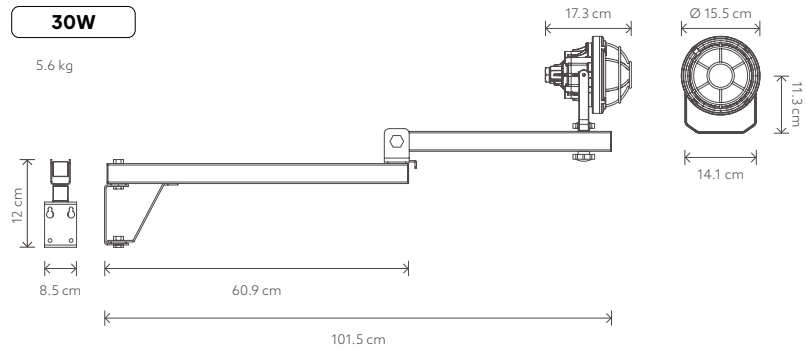
Control Systems





Dimensions

Photometric Distribution



Ordering Guide

Code example:

1 Series **2 Model** **3 Color Temperature**
LD **30** 30 W **50** 5000K
 50 50 W

1 Series 3 Color temperature
 | |
LD **30** **50**
 |
 2 Model