



URBAN & SOLAR

BEACON POST TOP SERIES

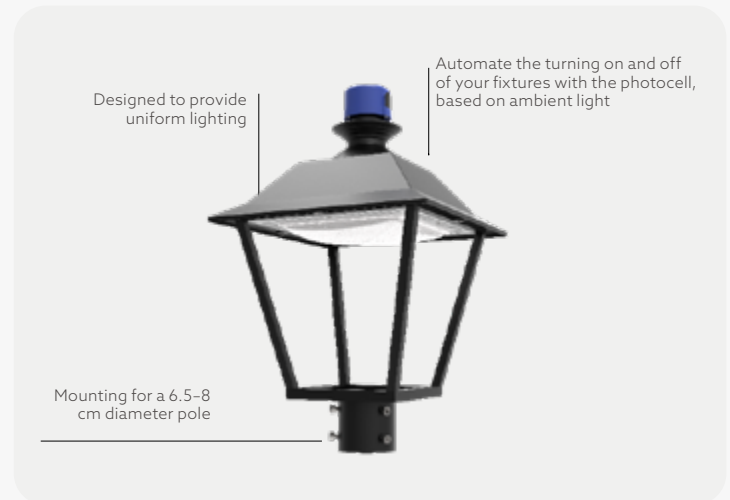
The Beacon Post Top Light Series offers up to 80% energy savings compared to traditional technologies. It is compatible with Jungo Connect® smart control systems and photocells, making it ideal for traditional lighting in parks, plazas, public areas, gardens, parking lots, and other applications. Its design allows for easy adaptation to projects with traditional architectural styles.

CERTIFICATIONS



Technical Data	
Input voltage	100 - 277V V ~ (Multivoltage)
Input frequency	50 / 60 Hz
Dimmable	0 - 10 V
Color temperature	3000K, 4000K, 5000K
CRI	> 70
Operating temperature	-40 a 45° C
Harmonic distortion	<10 %
Power factor	0.95
Beam angle	120 °
Mounting	Recessed base for round pole 6.5-8 cm in diameter (included)
Clasification	IP65
Anti-surge rating	10 kV
Light maintenance @100,000 hrs	0.86 *Proyected L70 (I2K) ≥72,000 hrs per IES TM-21
Body	Die-cast A383 aluminum alloy
Optics	Polycarbonate
Color	Black

Model	Wattage	Luminous Efficiency	Luminous Flux
SO	30 W	130 lm/W	3,900 lumens
MO	40 W	130 lm/W	5,200 lumens
HO	50 W	130 lm/W	6,500 lumens
SHO	60 W	130 lm/W	7,800 lumens



Control Systems

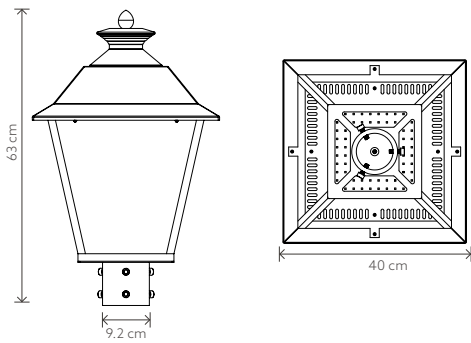




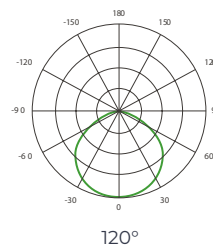
DIMENSIONS

SO / MO / HO / SHO / XL

8.5 kg



PHOTOMETRIC DISTRIBUTION



ORDERING GUIDE

1 Series

BPTL

2 Model

SO 30W
MO 40W
HO 50W
SHO 60W

3 Color temperature

30 3000K
40 4000K
50 5000K

4 Control

N None
P Photocell
I Jungo Connect®

Code example:

1 Series 3 Color temperature
BPTL MO 30 P
2 Model 4 Control