



SPORTS LIGHT
SPORT SERIES

Delivering up to 192,000 lumens in its SHO version, this luminaire is engineered for high-output applications such as sports stadiums, airports, major roadway intersections, seaports, and industrial yards. Its modular design enables easy replacement of LED modules without uninstalling the entire fixture. Each module can be independently rotated $\pm 30^\circ$, while the entire luminaire offers a rotation range of up to $\pm 270^\circ$, ensuring precise light direction and maximum flexibility.

CERTIFICATIONS



Technical Data	
Input voltage	100 - 277V ~ (Multivoltage)
Input frequency	50 / 60 Hz
Dimmable	0 - 10 V
Color temperature	5000K
CRI	≥ 80
Operating temperature	-30 to 50° C
Harmonic distortion	<15 %
Power factor	0.92
Beam angle	30° 60° 90° 120°
Mounting	Bracket, Superpost
Classification	IP66
Impact resistance	IK08
Anti-surge rating	10 kV
Light maintenance @100,000 hours	0.86 <small>*Projected L70 (I2K) \geq 72,000 hours according to IES TM-21</small>
Body	Die-cast aluminum alloy A383
Optics	Borosilicate
Color	Black
BUG Rating	B5-Ux-G1

Model	Wattage	Luminous Efficiency	Luminous Flux
SO	300W	160 lm/W	48,000 lumens
MO	600W	160 lm/W	96,000 lumens
HO	900W	160 lm/W	144,000 lumens
SHO	1200W	160 lm/W	192,000 lumens

Optimal performance in fully outdoor environments.



Light Barrier Available



Rotable Bracket

Control Systems

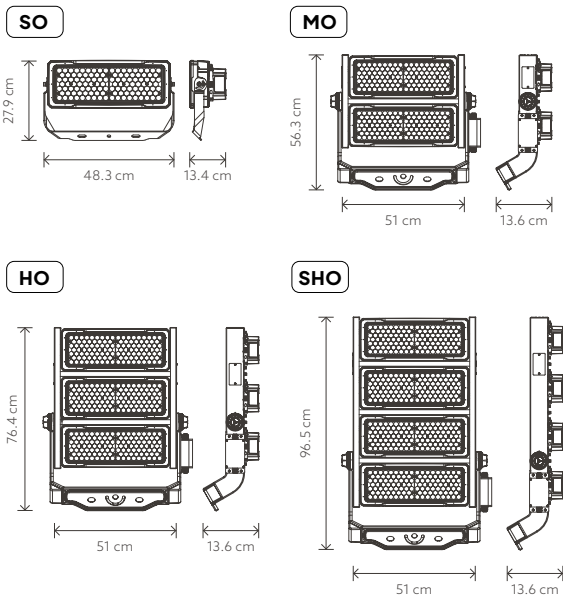


0-10V

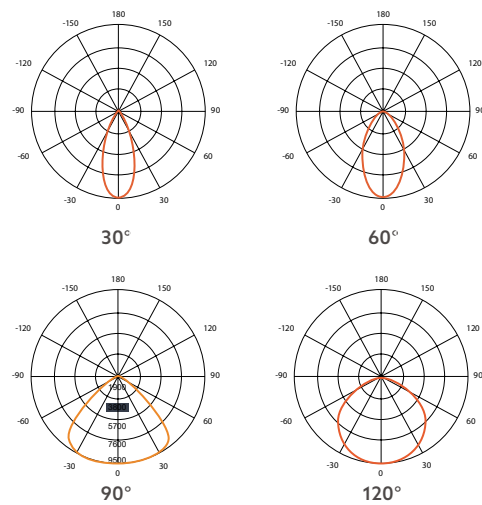




Dimensions



Photometric Distribution



Ordering Guide

1 Series	2 Model	3 Beam Angle	4 Control
SP	SO	1 30°	N None
	MO	2 60°	I Jungo Connect®
	HO	3 90°	
	SHO	4 120°	

Code Example:

