

HAZARDOUS LOCATIONS

**FLF** SERIES



The FLF Series is a linear LED luminaire engineered for **marine and hazardous applications**. Its rugged, corrosion-resistant construction withstands heavy vibration, saltwater, and harsh chemicals, while its aerodynamic design effectively repels water. Certified for use in hazardous locations and flammable environments requiring **ATEX/IECEX** compliance, it features non-sparking materials and high impact resistance. Ceiling or wall installation is supported via stainless steel mounting brackets.

CERTIFICATIONS



Technical Data	
Input voltage	100 - 277V ~
Input frequency	50 / 60 Hz
Dimmable	0 - 10 V (Optional)
Color temperature	4000K or 5000K
CRI	> 70
Operating temperature	-40 to 65° C
Harmonic distortion	<10 %
Power factor	0.90
Beam angle	120°
Mounting	Surface-mounted: Wall, Ceiling, Pole
Classification	IP66
Impact resistance	IK10
Anti-surge rating	10 kV
Light maintenance @100,000 hrs	0.86 *Projected L70 (I2K) ≥72,000 hrs per IESTM-21
Body	Die-cast A383 aluminum alloy
Optics	Aluminum
Color	Black

Model	Nominal Power	Luminous Efficiency	Luminous Flux
20W	20W	140 lm/W	2,800 lumens
40W	40W	140 lm/W	5,600 lumens
50W	50W	140 lm/W	7,000 lumens
80W	80W	140 lm/W	11,200 lumens



**ATEX - European Union**  
I12 G Ex db op is IIB T4/T5 Gb  
I12 D Ex op is tb IIIC T135°C Db IP66



**IECEX - International**  
Ex db op is IIB T4/T5 Gb  
Ex op is tb IIIC T135°C Db IP66



**Intertek - North America**  
Class I, Division 2, Groups A, B, C, D  
Class II, Division 2, Groups F, G



**Intertek - North America**  
UL1598, UL1598A



**ABS Type Approved**

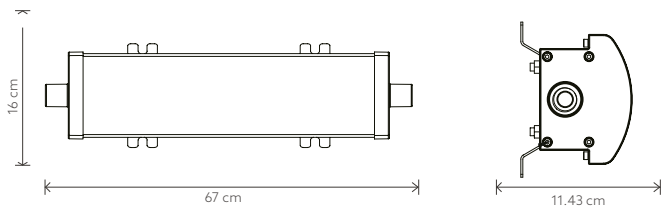
**Other Classifications**  
IP66  
IK10



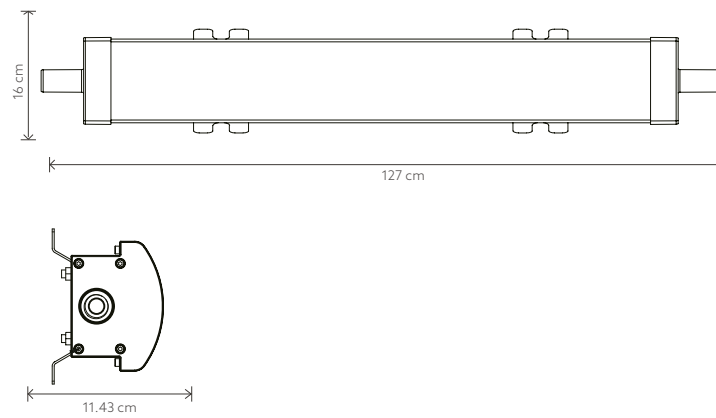


## Dimensions

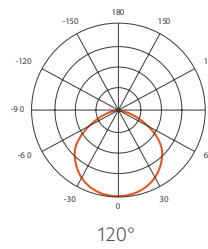
**20W / 40W**



**50W / 80W**



## Photometric distribution



Sealed housing with IP66 protection

Wide operating temperature range: -40° to 65°C

Anti-flicker lighting eliminates visible flickering on security cameras and prevents visual fatigue

120° Beam angle

## Ordering Guide

### 1 Series

EXFLF

### 2 Model

**20W** 2,800 lm  
**40W** 5,600 lm  
**50W** 7,000 lm  
**80W** 11,200 lm

### 3 Color temperature

**40** 4000K  
**50** 5000K

## Code Example:

1 Series | 3 Color temperature  
 EXFLF | 150W | 40  
 | 2 Model