

URBAN LIGHT WALLSTREET LIGHT SERIES

LED



TECHNICAL DATA	
Input voltage	100 - 277 V~ (Multivoltage)
Input frequency	50 / 60 Hz
Dimmable	0 - 10 V
Color Temperature	CCT Selectable 3,000K 4,000K 5,000K
IRC	>85
Operating temperature	-30 to 50 °C
Harmonic distortion	<10%
Power factor	0.99
Opening angle	Type II Medium, Type III Medium Type V Short
Mounting	Round-Square Post, Fitter Mounting, Gooseneck, Single Bracket, Twin Bracket
Ranking	IP66 - IK08
Surge protection	4 kV
Light maintenance @100,000 hours	0.86 <small>*Projected L70 (12K) ≥ 72,000 hours according to IES TM-21</small>
Body	Die-cast aluminum alloy
Optics	Polycarbonate
Color	Black

JUNGO LIGHTING

Wallstreet Light Series is built in high-strength aluminum with IP66 rating, offering up to 80% energy savings compared to traditional technologies. It is compatible with **Jungo Connect®** intelligent control systems and photocell, ideal for traditional lighting in parks, squares, public areas, gardens, parking lots, among other applications.

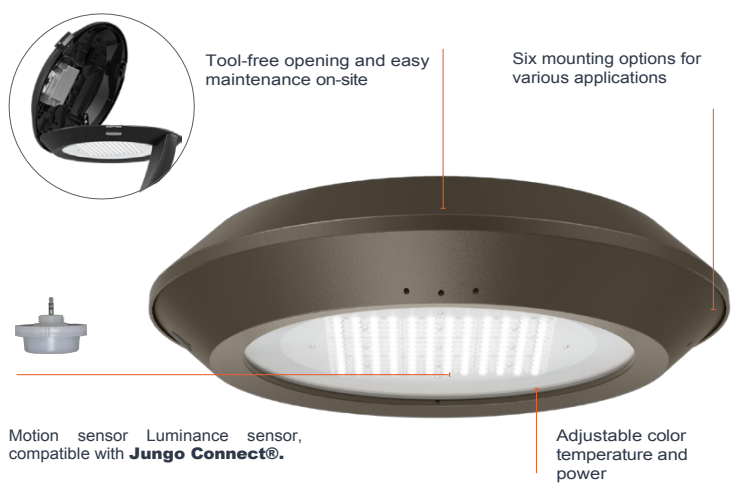
Its versatility of assembly allows it to be easily adapted to projects with contemporary or traditional architectural styles.

CERTIFICATES

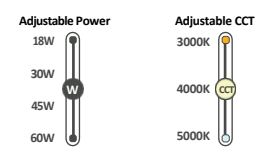


Model	Selectable Power	CCT Selectable	Luminous Efficiency	Luminous flux
SO	18W 30W 45W 60W	3,000K 4,000K 5,000K	150 lm W	Max. 9,000 lumens

KEY FEATURES



Jungo Connect is a complete and highly scalable central management system for lighting and IoT devices with multi-protocol support (Zigbee, BluetoothMesh, Wi-Fi, NB- IoT, 4G LTE) compatibility that meets all the devices and energy management needs of a smart industrial or commercial building.

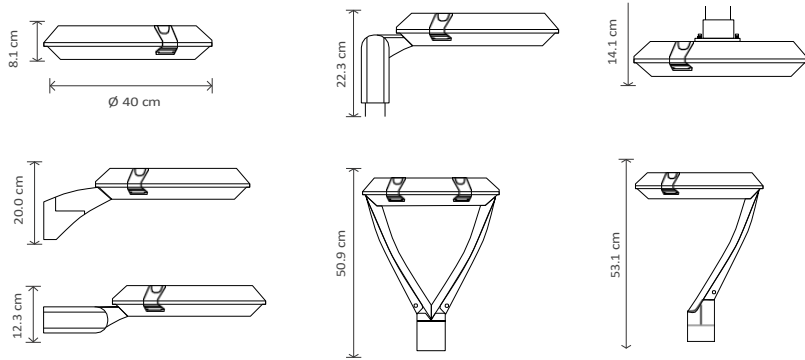




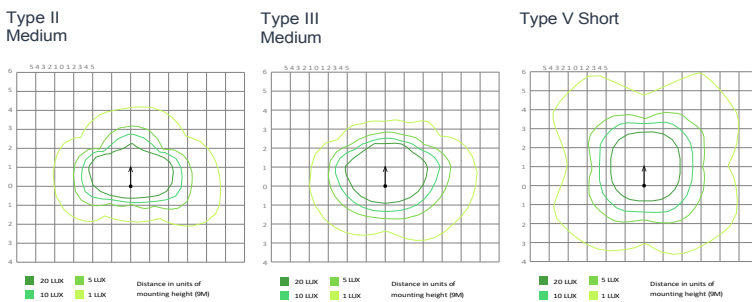
DIMENSIONS

SO / ASSEMBLIES

8.5 kg



PHOTOMETRIC DISTRIBUTION



ORDERING GUIDE

1 Series

WS

2 Model

SO 18 W | 30W | 45W | 60W

3 Opening angle

- 1 Type II Medium
- 2 Type III Medium
- 3 Type V Short

4 Assembly

- 1 Round-Square Post
- 2 Slip Fitter Mounting
- 3 Gooseneck
- 4 Single Bracket
- 5 Twin Bracket

5 Control

- N None
- P Photocell
- I Jungo Connect®
- J Smart Cities

Code example:

