

SOLAR LIGHT

LED

# SOLAR LIGHT AIO SERIES

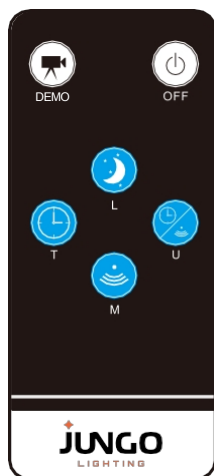


### TECHNICAL DATA

Dimmable	0 - 10 V (integrated micro PIR sensor)	
Color temperature	6000K	
IRC	> 80	
Operating temperature	-20 to 60 °C	
Opening angle	Type II	
Mounting	Recessed: Adjustable pole arm for 54 mm to 64 mm diameter pole (included)	
Ranking	IP65	
Light maintenance @100,000 hours	"0.86 *Projected L70 (12K) 72,000 hours according to IES TM-21".	
Body	Die-cast aluminum alloy	
Optics	Polycarbonate	
Color	Black	



### REMOTE CONTROL



**Six working modes**, for remote control of the luminaire

- DEMO:** No matter day or night, light "on" for 1 minute. For test use only
- OFF:** Light "off", regardless of day or night.
- L:** First 2 hours: 100% brightness. Next 3 hours: 60% brightness. Until sunrise: 20% brightness.
- M:** First 5 hours: 100% brightness. Rest of the night: 50% brightness when motion is detected. 20% brightness when no motion is detected.
- T:** First 3 hours: 100% brightness. Next 3 hours: 50% brightness. Last 2 hours: 30% brightness
- U:** First 5 hours: 100% brightness. Next 3 hours 50% brightness.

# JUNGO LIGHTING

Made with single-sided monocrystalline solar panels, this **100% autonomous LED luminaire** is designed to be recharged with light directly from the sun or from the sun through the clouds, this system allows it to illuminate for a range of 5 to 7 days, even on rainy days. With anti-theft technology, it is ideal for places where electricity is not available such as parking lots.

### CERTIFICATES



NOM-003-SCFI-2014

Model	Luminous flux	LiFePO4 3.2V Battery	Solar cell
<b>30 W</b>	6,000 lm	144WH / 45AH	60W
<b>40 W</b>	8,000 lm	240WH / 75AH	60W
<b>60 W</b>	12,000 lm	348WH / 120AH	80W
<b>80 W</b>	16,000 lm	512WH / 160AH	110W
<b>100 W</b>	20,000 lm	640WH / 200AH	110W
<b>120 W</b>	24,000 lm	896WH / 280AH	160W

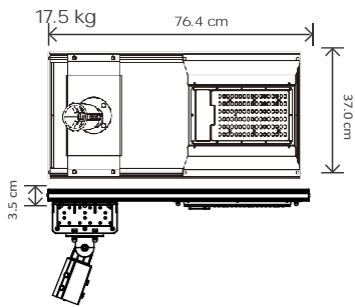
### KEY FEATURES



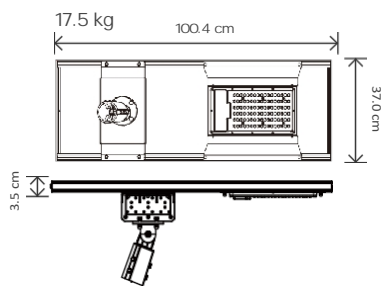


**DIMENSIONS**

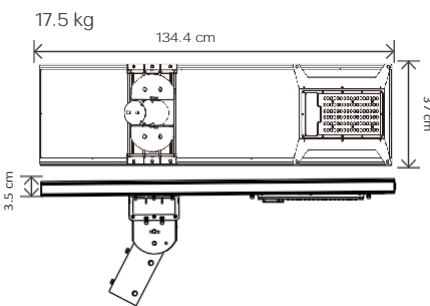
**30W**



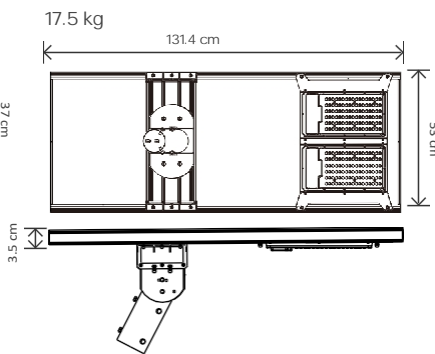
**40W**



**60W**

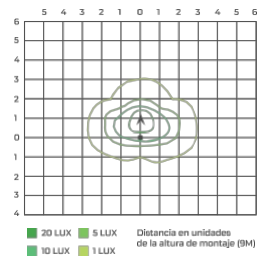


**80W, 100W, 120W**



**PHOTOMETRIC DISTRIBUTION**

Type II



**ORDERING GUIDE**

1 Series	2 Model	
SAIO	30W	6,000 lumens
	40W	8,000 lumens
	60W	12,000 lumens
	80W	16,000 lumens
	100W	20,000 lumens
	120W	24,000 lumens

Example code:

1 Series  
 |  
**SAIO 100W**  
 |  
 2 Model