

# LOADING DOCK LIGHT

# LOADING DOCK

## SERIES



### TECHNICAL DATA

<b>Input voltage</b>	100 - 277 V~ (Multivoltage)
<b>Input frequency</b>	50 / 60 Hz
<b>Dimmable</b>	0 - 10 V
<b>Color temperature</b>	5000K
<b>IRC</b>	>75
<b>Operating temperature</b>	-30 to 50 °C
<b>Harmonic distortion</b>	<10%
<b>Power factor</b>	0.95
<b>Opening angle</b>	120°
<b>Mounting</b>	Overlay: wall base (included)
<b>Ranking</b>	IP65
<b>Impact resistance</b>	IK08
<b>Surge protection</b>	2 kV
<b>Light maintenance @100,000 hours</b>	0.86 *Projected L70 (12K) ≥ 72,000 hours according to IES TM-21
<b>Body</b>	Die-cast aluminum alloy A383
<b>Optics</b>	Polycarbonate
<b>Color</b>	Yellow

# JUNGO

## LIGHTING

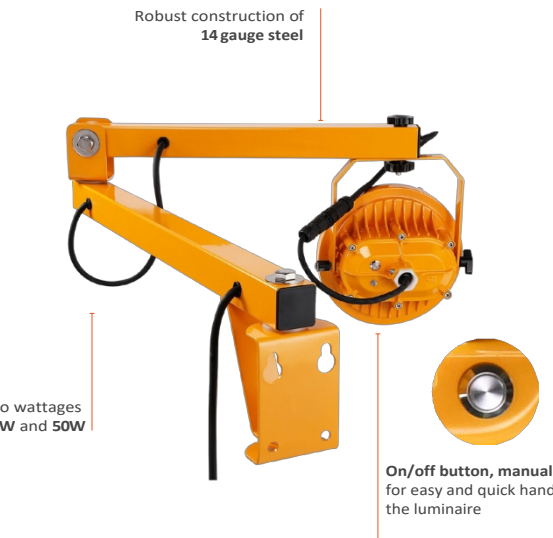
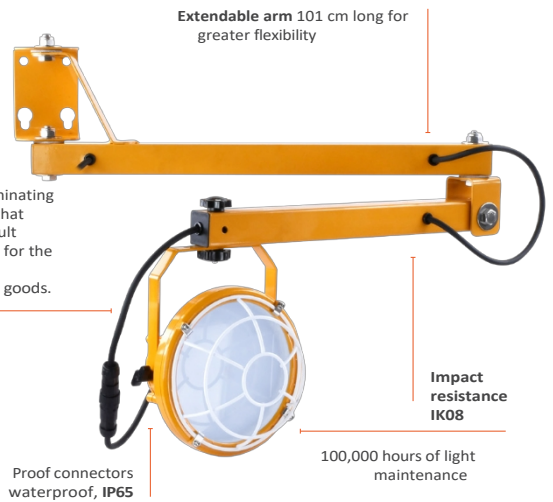
Keep your team safe while working on loading and unloading docks by installing the specialty **Loading Dock Light**. Designed to illuminate in environments with rough maneuvers, it has hermetic connections. The unit is equipped with a waterproof, extendable arm and a 14-gauge steel protective casing that resists impact.

### CERTIFICATES



NOM-003-SCFI-2014

Model	Power rating	Luminous efficiency	Luminous flux
<b>30W</b>	30 W	120 lm/W	3,600 lumens
<b>50W</b>	50 W	120 lm/W	6,000 lumens



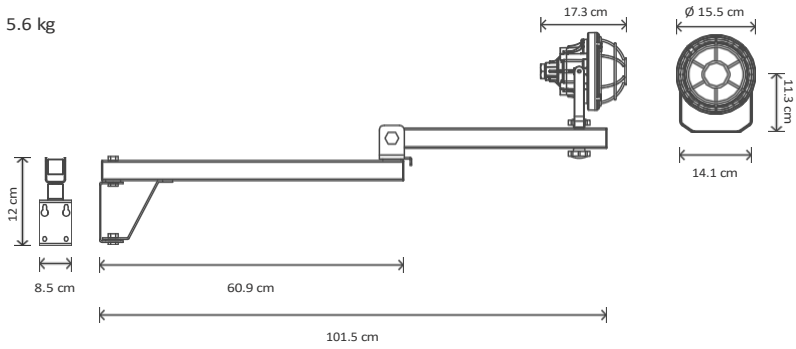
Powered by **JUNGOconnect**

**Jungo Connect** is a complete and highly scalable central management system for lighting and IoT devices with multi-protocol support (Zigbee, BluetoothMesh, Wi-Fi, NB-IoT, 4G LTE) compatibility that meets all the devices and energy management needs of a smart industrial or commercial building.

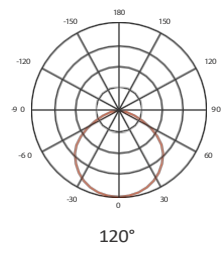


**DIMENSIONS**

**30W**  
5.6 kg



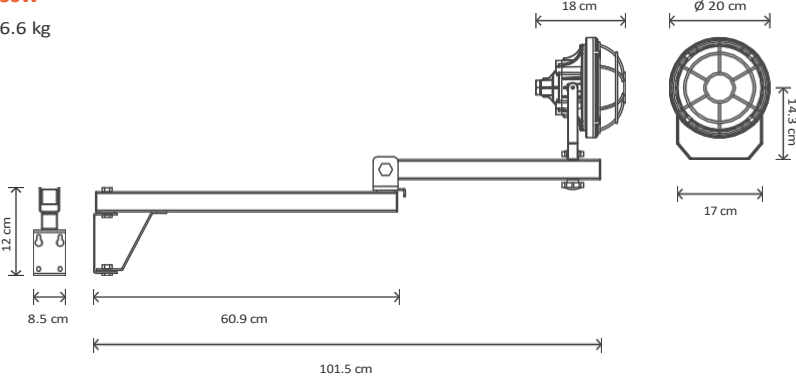
**PHOTOMETRIC DISTRIBUTION**



**PHOTOMETRY**

To download the IES file go to: [Jungo.Lighting/resources](http://Jungo.Lighting/resources)

**50W**  
6.6 kg



**ORDERING GUIDE**

<b>1 Series</b>	<b>2 Model</b>	<b>3 Color temperature</b>
LD	30 30 W 50 50 W	50 5000K



Some codes of this luminaire are part of our immediate shipment program. Check the models here:  
[www.Jungo.Lighting/quickship](http://www.Jungo.Lighting/quickship)

