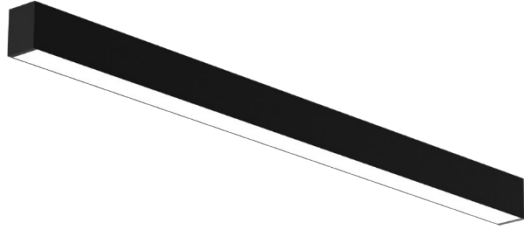


LINEAR LIGHT

LINEAR LIGHT

SERIES

LED



TECHNICAL DATA

Input voltage	100 - 277 V~
Input frequency	50 / 60 Hz
Dimmable	0 - 10 V
Color temperature	CCT Selectable 3,500K 4,000K 5,000K
IRC	>80
Operating temperature	-20 to 45 °C
Harmonic distortion	<20%
Power factor	0.90
Opening angle	110°
Mounting	Suspended / surface / wall mounted
Ranking	IP20
Surge protection	2.5 kV
Light maintenance @100,000 hours	0.86 *Projected L70 (12K) ≥ 66,000 hours according to IES TM-21
Body	Aluminum alloy
Optics	Polycarbonate
Color	Black or White

JUNGO

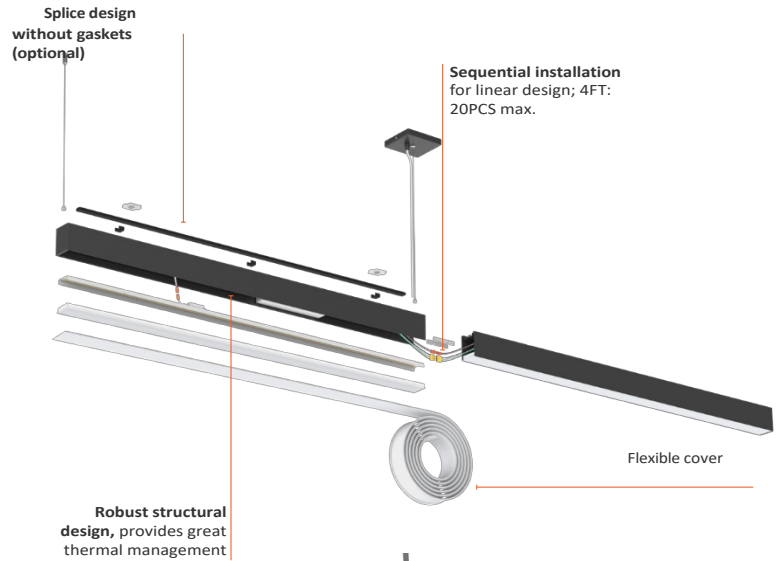
LIGHTING

This **linear luminaire** has a seamless junction design. In addition, it utilizes a high lumen, flicker-free SMD light source and a high efficiency to generate better luminosity. Its aluminum housing provides excellent thermal management. It offers downward and up/down illumination options, with adjustable CCT. On the other hand, in terms of The mounting design allows it to be suspended, surface-mounted or wall-mounted.

CERTIFICATES

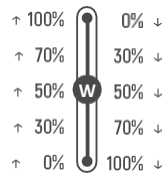


Model	Power	Lighting distribution	CCT Selectable	Luminous efficiency	Luminous flux
4FT	36W	↑100% - ↓10% ↑70% - ↓30% ↑50% - ↓50% ↑0% - ↓100%	3,500K 4,000K 5,000K	110 lm/W	3,960 lm

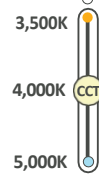


Jungo Connect is a complete and highly scalable central management system for lighting and IoT devices with multi-protocol support (Zigbee, BluetoothMesh, Wi-Fi, NB- IoT, 4G LTE) compatibility that meets all the devices and energy management needs of a smart industrial or commercial building.

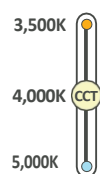
Adjustable Light Distribution



CCT Adjustable Up



CCT Adjustable Down



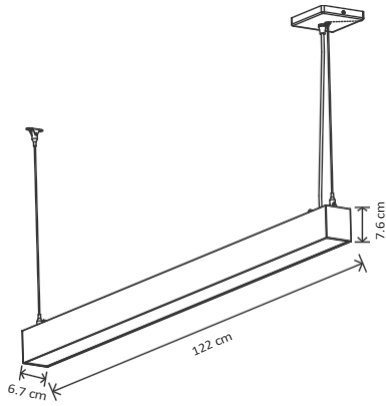
Three levels of color temperature and five different wattages available



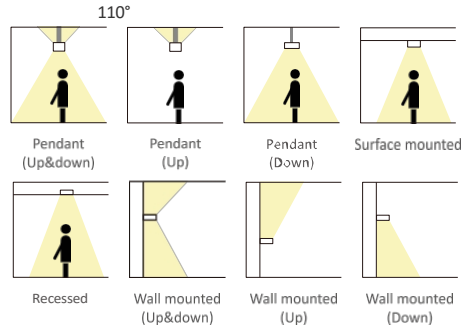
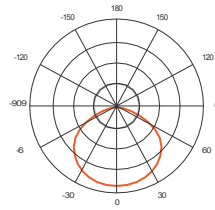


DIMENSIONS

4FT



PHOTOMETRIC DISTRIBUTION



ORDERING GUIDE

1 Series **LL** 2 Model **4FT**

Example code:



ADDITIONAL ACCESSORIES



"X" Shape
Code: LL01



"L" Shape
Code: LL02



"T" Shape
Code: LL03



Straight Connector
Code: LL04



Flexible Cover
Code: LL05



Surface Canopy & Round Canopy & Power Cable
Code: LL06



Power Cable
Code: LL07



Emergency Battery Backup
Code: LL08



Wall Mount
Code: LL09



Recessed Mount
Code: LL10



Top Cover
Code: LL11



Surface Mount Kit
Code: LL12