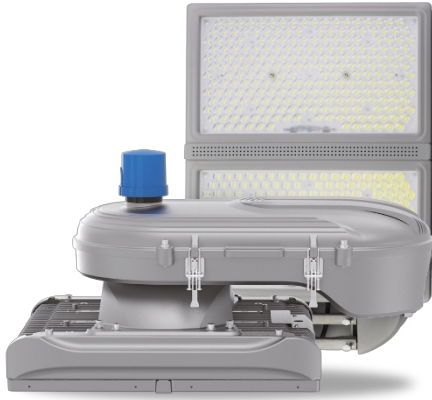


FLOOD LIGHT HIGH MAST V3 SERIES

LED



TECHNICAL DATA

Input voltage	100 - 277 V~ (Multivoltage)
Input frequency	50 / 60 Hz
Dimmable	0 - 10 V
Color temperature	4000K or 5000K
IRC	>70
Operating temperature	-30 to 50 °C
Harmonic distortion	<15%
Power factor	0.95
Opening angle	20°, 30°, 40°, 60°, 90° o 120°
Mounting	Overlay: Bracket (included), Super post (compatible with SO model)
Ranking	IP66
Impact resistance	IK08
Surge protection	10 kV
Light maintenance @100,000 hours	0.86 *Projected L70 (12K) ≥ 72,000 hours according to IES TM-21
Body	Die-cast aluminum alloy A383
Optics	Borosilicate
Color	Gray



Powered by **JUNGOconnect**

Jungo Connect is a complete and highly scalable central management system for lighting and IoT devices with multi-protocol support (Zigbee, BluetoothMesh, Wi-Fi, NB- IoT, 4G LTE) compatibility that meets all the devices and energy management needs of a smart industrial or commercial building.

JUNGO LIGHTING

It is designed to meet critical levels in ports, parking lots, industrial outdoor facilities and roadways. The fully prismatic glass optics produce an overlapping light pattern that results in high application efficiency, providing excellent uniformity and control of the light. glare, resulting in excellent visibility within the space.

CERTIFICATES



NOM-003-SCFI-2014
NOM-031-ENER-2012

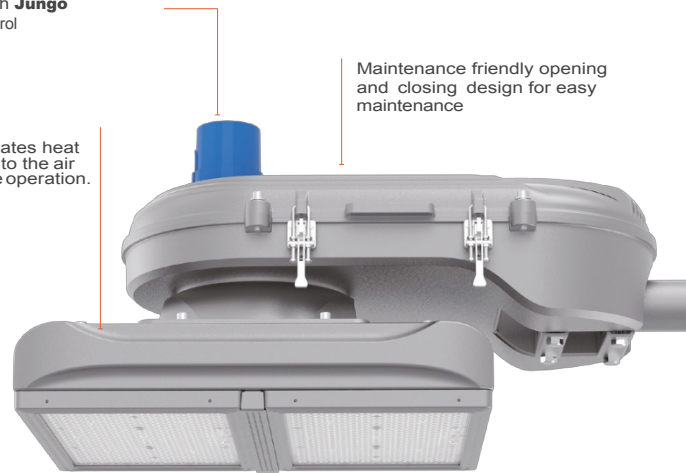
Model	Power rating	Luminous efficiency	Luminous flux
SO	500 W	160 lm/W	80,000 lumens
MO	630 W	160 lm/W	100,800 lumens
HO	960 W	160 lm/W	153,600 lumens

KEY FEATURES

Compatible with **Jungo Connect®** control system

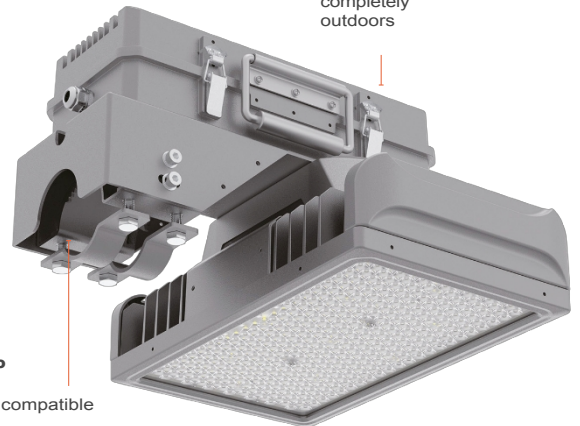
Heat sink, dissipates heat from the lamp into the air to ensure stable operation.

Maintenance friendly opening and closing design for easy maintenance



Bracket rotatable up to ± 350°.

Optimum performance completely outdoors



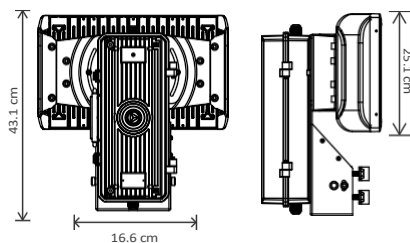
Take your lighting to the next level with the Super Post compatible with 2 1/4" tubing



DIMENSIONS

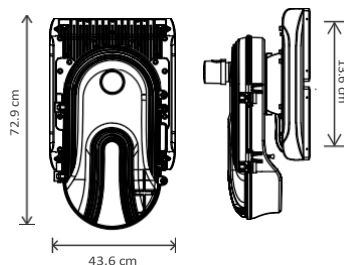
SO

17 kg



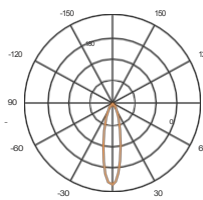
MO / HO

34 kg

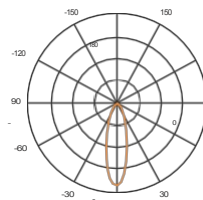


PHOTOMETRIC DISTRIBUTION

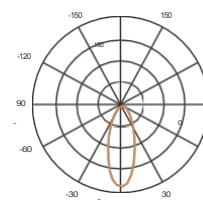
120°



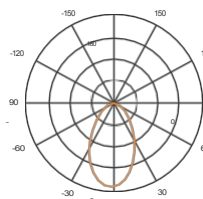
20°



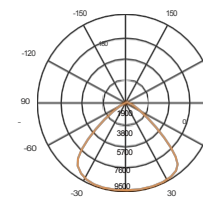
30°



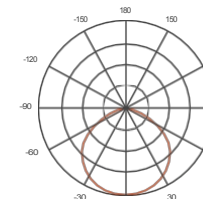
40°



60°



90°



120°

ORDERING GUIDE

1 Series	2 Model	3 Temperature colored	4 Angle of opening	5 Control	
HM3	SO 500 W	40 4000K	1 20°	N None	
	MO 630 W	50 5000K	2 30°	P Photocell	
	HO 960 W			3 40°	I Smart Cities
				4 60°	
				5 90°	
				6 120°	

Example code:

