

HAZARDOUS LOCATIONS

**HT** SERIES



**TECHNICAL DATA**

|   |   |
|---|---|
| <b>Input voltage</b>                    | 100 - 277 V~ / 200 - 480 V~   |
| <b>Input frequency</b>                  | 50 / 60 Hz  |
| <b>Dimmable</b>                         | 0 - 10 V (optional)   |
| <b>Color temperature</b>                | 5000K   |
| <b>IRC</b>                              | >70   |
| <b>Operating temperature</b>            | -40 to 70 °C  |
| <b>Harmonic distortion</b>              | <10%  |
| <b>Power factor</b>                     | 0.90  |
| <b>Opening angle</b>                    | 120°  |
| <b>Mounting</b>                         | Overlay: Wall<br>Wall mounted with junction box<br>Ceiling<br>Ceiling with junction box |
| <b>Ranking</b>                          | IP66  |
| <b>Impact resistance</b>                | IK08  |
| <b>Surge protection</b>                 | 10 kV   |
| <b>Light maintenance @100,000 hours</b> | 0.86<br>*Projected L70 (12K) ≥ 72,000 hours according to IES TM-21                      |
| <b>Body</b>                             | Die-cast aluminum alloy A383  |
| <b>Optics</b>                           | Borosilicate  |
| <b>Housing</b>                          | Stainless steel   |
| <b>Color</b>                            | Black   |



Powered by **JUNGOconnect**

**Jungo Connect** is a complete and highly scalable central management system for lighting and IoT devices with multi-protocol support (Zigbee, BluetoothMesh, Wi-Fi, NB-IoT, 4G LTE) compatibility that meets all the devices and energy management needs of a smart industrial or commercial building.

**JUNGO**  
LIGHTING

A luminaire designed for hazardous applications, its innovative vertical flow cooling design allows it to operate in hostile extreme heat environments with temperatures **up to 70 °C (158 °F)** such as power plants, power plants and industrial facilities, metal smelting, iron forging, steel mills, power generation, factories and chemical plants.

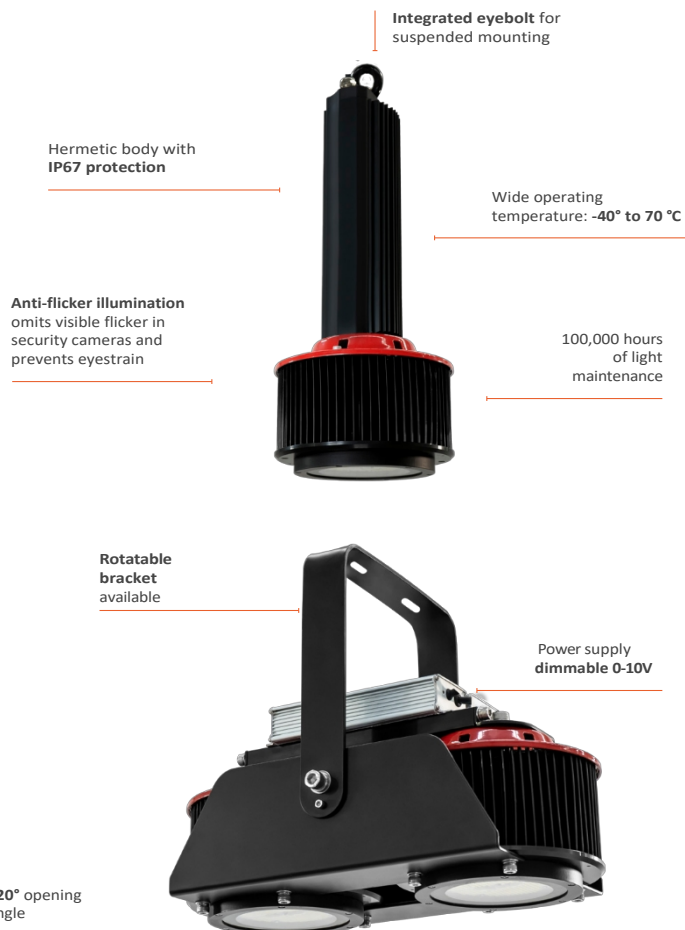
**CERTIFICATES**



NOM-003-SCF-2014

| Model        | Power rating | Luminous efficiency | Luminous flux |
|--------------|--------------|---------------------|---------------|
| <b>80 W</b>  | 80 W         | 150 lm/W            | 12,000 lumens |
| <b>100 W</b> | 100 W        | 150 lm/W            | 15,000 lumens |
| <b>150 W</b> | 150 W        | 150 lm/W            | 22,500 lumens |
| <b>200 W</b> | 200 W        | 150 lm/W            | 30,000 lumens |
| <b>300 W</b> | 300 W        | 150 lm/W            | 45,000 lumens |
| <b>400 W</b> | 400 W        | 150 lm/W            | 60,000 lumens |
| <b>500 W</b> | 500 W        | 150 lm/W            | 75,000 lumens |
| <b>600 W</b> | 600 W        | 150 lm/W            | 90,000 lumens |

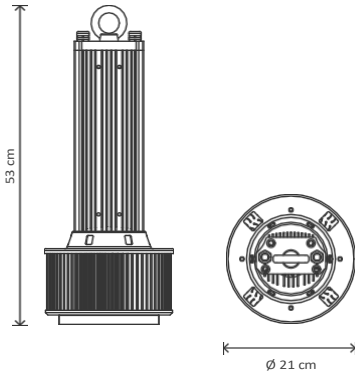
**KEY FEATURES**



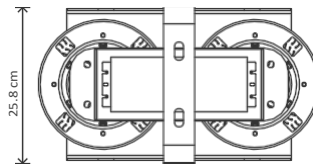
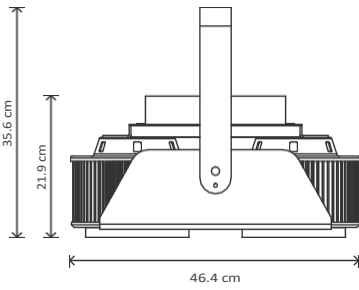


**DIMENSIONS**

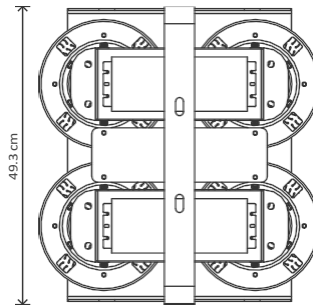
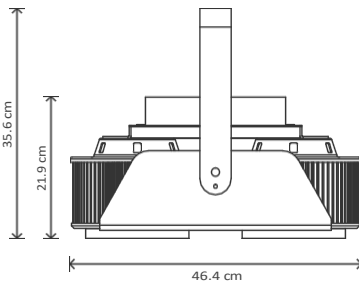
80 W / 100 W / 150 W



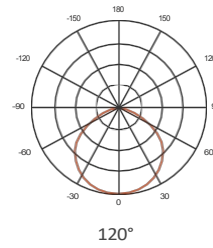
200 W / 300 W



400 W / 500 W / 600 W



**PHOTOMETRIC DISTRIBUTION**



**ORDERING GUIDE**

|                 |                           |                       |
|-----------------|---------------------------|-----------------------|
| <b>1 Series</b> | <b>2 Model</b>            | <b>3 Power supply</b> |
| <b>EXHT</b>     | <b>80W</b> 12,000 lumens  | <b>1</b> 100 - 277 V~ |
|                 | <b>100W</b> 15,000 lumens | <b>2</b> 347 - 480 V~ |
|                 | <b>150W</b> 22,500 lumens |                       |
|                 | <b>200W</b> 30,000 lumens |                       |
|                 | <b>300W</b> 45,000 lumens |                       |
|                 | <b>400W</b> 60,000 lumens |                       |
|                 | <b>500W</b> 75,000 lumens |                       |
|                 | <b>600W</b> 90,000 lumens |                       |

**Example code:**

1 Series  
 |  
**EXHT**

3 Power supply  
 |  
**150W**

2 Model  
 |  
**2**