

# DOWN LIGHT MR16

LED

SERIES



### TECHNICAL DATA

<b>Input voltage</b>	110 - 130 V~ (power supply included)
<b>Input frequency</b>	50 / 60 Hz
<b>Color temperature</b>	3000K - 2000K (Dim to Warm)
<b>Dimmable</b>	Yes (TRIAC)
<b>IRC</b>	>92
<b>Operating temperature</b>	-30 to 40 °C
<b>Harmonic distortion</b>	<20%
<b>Power factor</b>	0.95
<b>Opening angle</b>	24° y 36°
<b>Plug</b>	Quick connector
<b>Mounting</b>	Embedded (single luminaire, double luminaire, single circular luminaire)
<b>Ranking</b>	IP20
<b>Impact resistance</b>	IK06
<b>Surge protection</b>	2.5 kV
<b>Light maintenance @100,000 hours</b>	0.86 *Projected L70 (12K) ≥ 72,000 hours according to IES TM-21
<b>Body</b>	Die-cast aluminum alloy A383
<b>Optics</b>	Polycarbonate
<b>Color</b>	Gray

# JUNGO LIGHTING



**Universal MR16 bulb** with a glare-free reflector design, with only 7 watts of power consumption, this bulb was designed to replace bulbs. It includes a power supply for optimum performance and integrates the **Dim to Warm** function that emits warmer lighting the more it is dimmed. Compatible with luminaires square, rectangular and circular, this bulb can be adapted to different finishes, commercial and residential.

### CERTIFICATES



NOM-003-SCFI-2014

Model	Power rating	Luminous efficiency	Luminous flux
MR16	7 W	64 lm/W	450 lumens

- Anti-glare accessory** compatible with the luminaire for MR16 bulb
- Attenuation with TRIAC**, controls AC input voltage
- Quick connectors**, for easy and simple connection between bulb and power source
- Reflector design** prevents glare
- Compatible with luminaires**, single, double and single circular, designed for recessed installation
- Dim to Warm** function, the more it is dimmed, the warmer the light becomes
- Power supply included**  
Volta Input voltage 110 - 130 V~  
Output voltage 27 - 42 V



**Jungo Connect** is a complete and highly scalable central management system for lighting and IoT devices with multi-protocol support (Zigbee, BluetoothMesh, Wi-Fi, NB- IoT, 4G LTE) compatibility that meets all the devices and energy management needs of a smart industrial or commercial building.

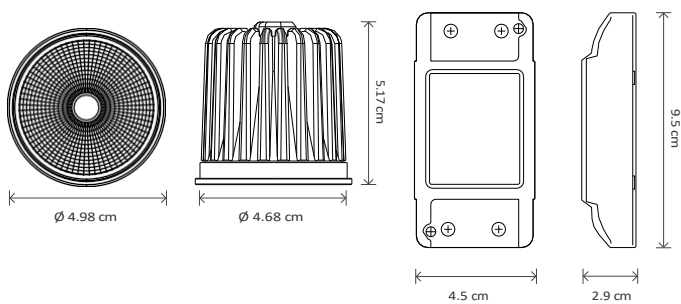
The MR16 Series Bulb features the Dim to Warm function, which allows you, through a TRIAC dimmer circuit, to change the color temperature while adjusting the brightness intention of the luminaire. Designed to mimic the behavior of a halogen bulb, with this integrated function you can set the mood of your space by adjusting brightness and warmth, thus improving the quality of light and its lifetime.





**DIMENSIONS**

**MR16 and power supply**



**COMPATIBILITIES**



**Single luminaire**

**Code:** MR16RC-1-B

(black with black background) MR16RC-1-WB



**Double luminaire**

**Code:** MR16RC-2-B

(black with black background) MR16RC-2-WB



**Single circular luminaire**

**Code:** MR16RR-B (black)

MR16RR-W (white)

**ADDITIONAL ACCESSORIES**



**Black anti-glare accessory**

**Code:** MR16AG-B



**White anti-glare accessory**

**Code:** MR16AG-W

**REFACCIONES**

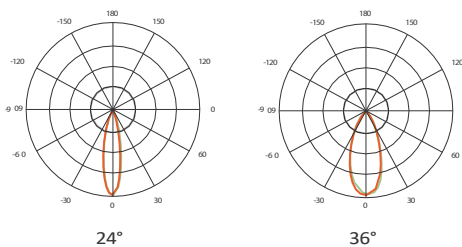


**MR16 LED bulb power supply**

**7W**

**Code:** DRMR16

**PHOTOMETRIC DISTRIBUTION**



**PHOTOMETRY**

To download the IES file go to:

[Jungo.Lighting/resources](http://Jungo.Lighting/resources)

**ORDERING GUIDE**

<b>1 Series</b>	<b>2 Opening angle</b>
MR16	24 24°
	36 36°

**Code example:**

