

# URBAN LIGHT BEACON TOP LIGHT SERIES

LED



### TECHNICAL DATA

<b>Input voltage</b>	100 - 277 V~ (Multivoltage)
<b>Input frequency</b>	50 / 60 Hz
<b>Dimmable</b>	0 - 10 V
<b>Color temperature</b>	3000K, 4000K, 5000K
<b>IRC</b>	>70
<b>Operating temperature</b>	-40 to 45 °C
<b>Harmonic distortion</b>	<10%
<b>Power factor</b>	0.95
<b>Opening angle</b>	120°
<b>Mounting</b>	<b>Recessed:</b> base for 6.5 to 8 cm diameter round post (included)
<b>Ranking</b>	IP65
<b>Surge protection</b>	10 kV
<b>Light maintenance @100,000 hours</b>	0.86 <small>*Projected L70 (12K) ≥ 72,000 hours according to IES TM-21</small>
<b>Body</b>	Die-cast aluminum alloy A383
<b>Optics</b>	Polycarbonate
<b>Color</b>	Black

# JUNGO LIGHTING

**Beacon Post Top Light Series** offers up to 80% energy savings compared to traditional technologies. It is compatible with **Jungo Connect®** intelligent control systems and photocell, ideal for traditional lighting in parks, squares, public areas, gardens, parking lots, among other applications. Its design allows it to easily adapt to projects with traditional architectural styles.

### CERTIFICATES



NOM-003-SCFI-2014  
NOM-031-ENER-2012

Model	Power rating	Luminous efficiency	Luminous flux
<b>SO</b>	30 W	130 lm/W	3,900 lumens
<b>MO</b>	40 W	130 lm/W	5,200 lumens
<b>HO</b>	50 W	130 lm/W	6,500 lumens
<b>SHO</b>	60 W	130 lm/W	7,800 lumens

### KEY FEATURES

**Automate the switching on and off of your luminaires** with the photocell, considering the ambient light as a parameter.

**Aluminum alloy A383**  
die-casting

**Designed to provide uniform illumination**

Compatible with **Jungo Connect®** IoT control system

**Mounting for 6.5 to 8 cm diameter poles**

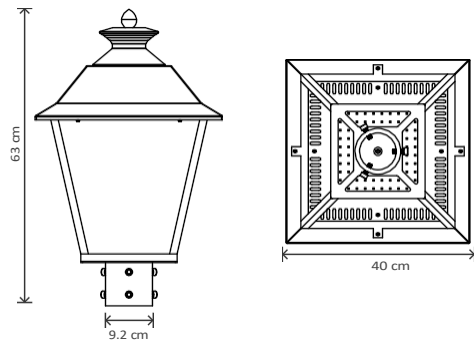


**Jungo Connect** is a complete and highly scalable central management system for lighting and IoT devices with multi-protocol support (Zigbee, BluetoothMesh, Wi-Fi, NB-IoT, 4G LTE) compatibility that meets all the devices and energy management needs of a smart industrial or commercial building.

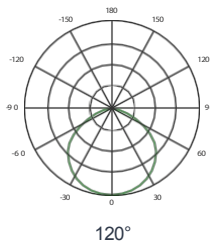


**DIMENSIONS**

**SO / MO / HO / SHO / XL**  
8.5 kg



**PHOTOMETRIC DISTRIBUTION**



**ORDERING GUIDE**

1 Series	2 Model	3 Color temperature	4 Control
<b>BPTL</b>	<b>SO</b> 30W	30 3000K	N None
	<b>MO</b> 40W	40 4000K	P Photocell
	<b>HO</b> 50W	50 5000K	I <b>Jungo Connect</b>
	<b>SHO</b> 60W		

**Code example:**

