

HAZARDOUS LOCATIONS

# FLF SERIES



# JUNGO LIGHTING

The FLF series is the ideal choice for marine and hazardous applications with a linear design. Its rugged construction allows it to withstand strong vibrations, salt water, corrosive elements and hazardous environments, and its streamlined design also repels water. It can be mounted on ceilings or walls using a pair of stainless steel mounting brackets. It is designed for use in hazardous locations and flammable buildings requiring ATEX/IECEX rated luminaires. It is made of non-sparking materials to protect it in flammable workplaces and is highly resistant to severe impact.

**CERTIFICATES**



TECHNICAL DATA	
Input voltage	100 - 277 V~
Input frequency	50 / 60 Hz
Dimmable	0 - 10 V (optional)
Color temperature	4000K or 5000K
IRC	>70
Operating temperature	-40 to 65°C
Harmonic distortion	<10%
Power factor	0.90
Opening angle	120°
Mounting	Overlay: Wall Ceiling Post
Ranking	IP66
Impact resistance	IK10
Surge protection	10 kV
Light maintenance @100,000 hours	0.86 *Projected L70 (12K) ≥ 72,000 hours according to IES TM-21
Body	Die-cast aluminum alloy A383
Optics	Borosilicate
Housing	Aluminum
Color	Black

Model	Power rating	Luminous efficiency	Luminous flux
20 W	20 W	140 lm/W	2,800 lumens
40 W	40 W	140 lm/W	5,600 lumens
50 W	50 W	140 lm/W	7,000 lumens
80 W	80 W	140 lm/W	11,200 lumens



**ATEX - European Union**  
 II2 G Ex db op is IIB T4/T5 Gb  
 II2 D Ex op op is tb IIIC T135°C Db IP66



**IECEX - International**  
 Ex db op is IIB T4/T5 Gb  
 Ex op is tb IIIC T135°C Db



**Intertek - North America**  
 Class I, Division 2, Groups A, B, C, D  
 Class II, Division 2, Groups F, G



**Intertek - North America**  
 UL1598, UL1598A



**ABS Type Approved**

**Other Classifications**

IP66  
 IK10



**KEY FEATURES**

Hermetic body with IP66 protection

Wide operating temperature: -40° to 65 °C

Anti-flicker illumination omits visible flicker in security cameras and prevents eyestrain

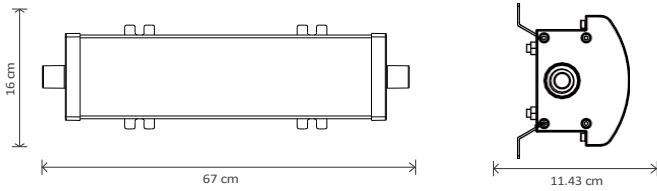
120° opening angle



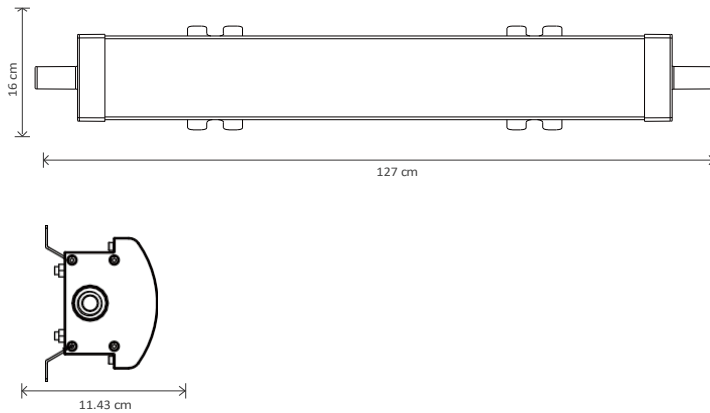


**DIMENSIONS**

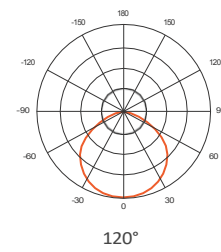
20 W / 40 W



50 W / 80 W



**PHOTOMETRIC DISTRIBUTION**



**ORDERING GUIDE**

1 Series	2 Model	3 Color temperature
<b>EXFLF</b>	<b>20W</b> 2,800 lumens	<b>40</b> 4000K
	<b>40W</b> 5,600 lumens	<b>50</b> 5000K
	<b>50W</b> 7,000 lumens	
	<b>80W</b> 11,200 lumens	

**Code example:**

